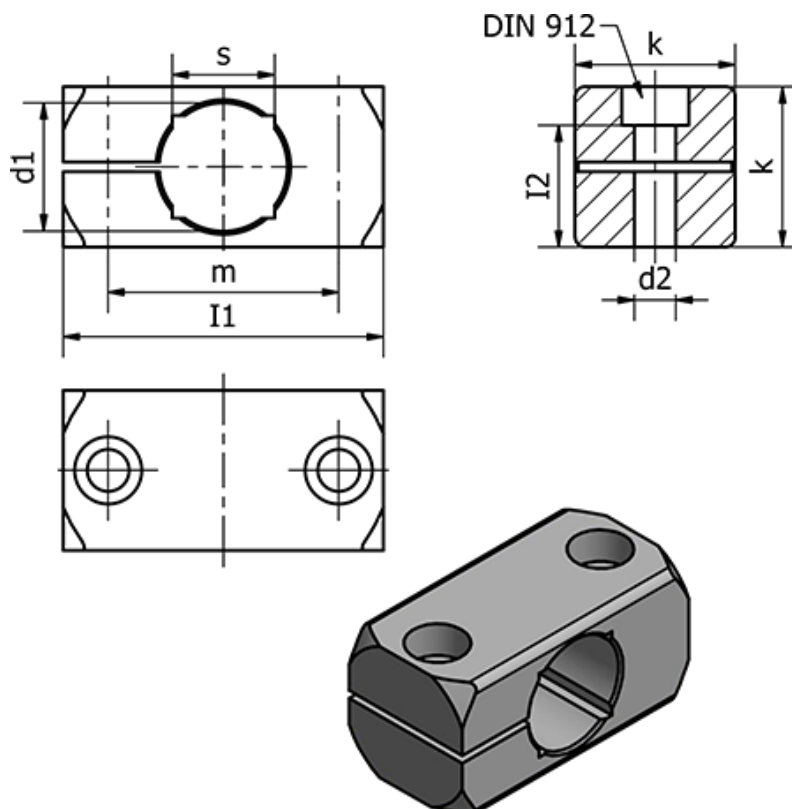


Article number: 20477B16ELS

Description: E+G Clamp mounting - GN 477-B16-ELS

Measures



Clamping kit for d2 = GN 511-M6-25

Clamping kit for d3 = -

d1 = 16
 d2 = M6
 l1 = 45
 l2 = 14
 k = 20
 m = 32

s =
 Weight (g) = 29